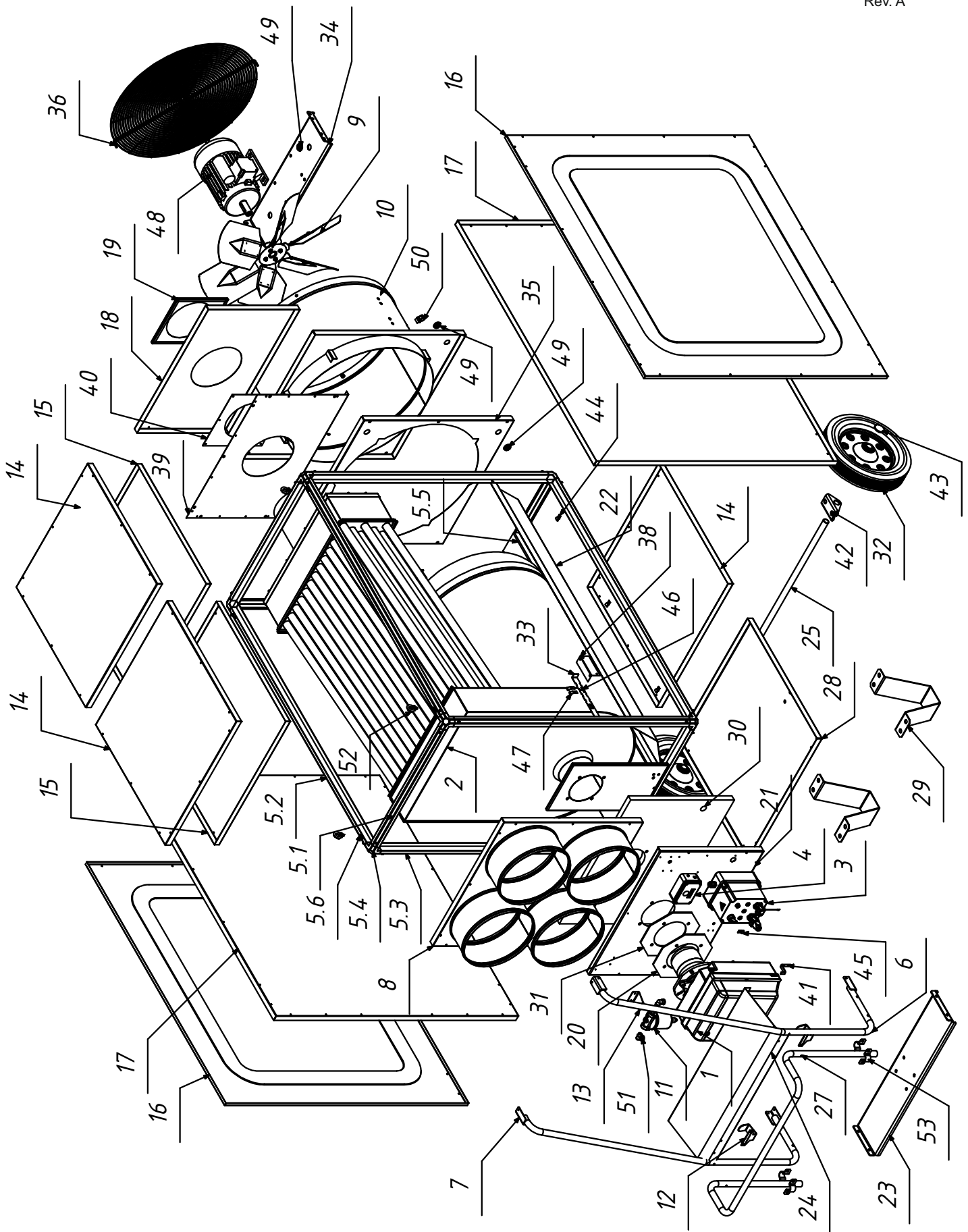


BV 690 FS / BV 690 FT MODEL 2011/2012

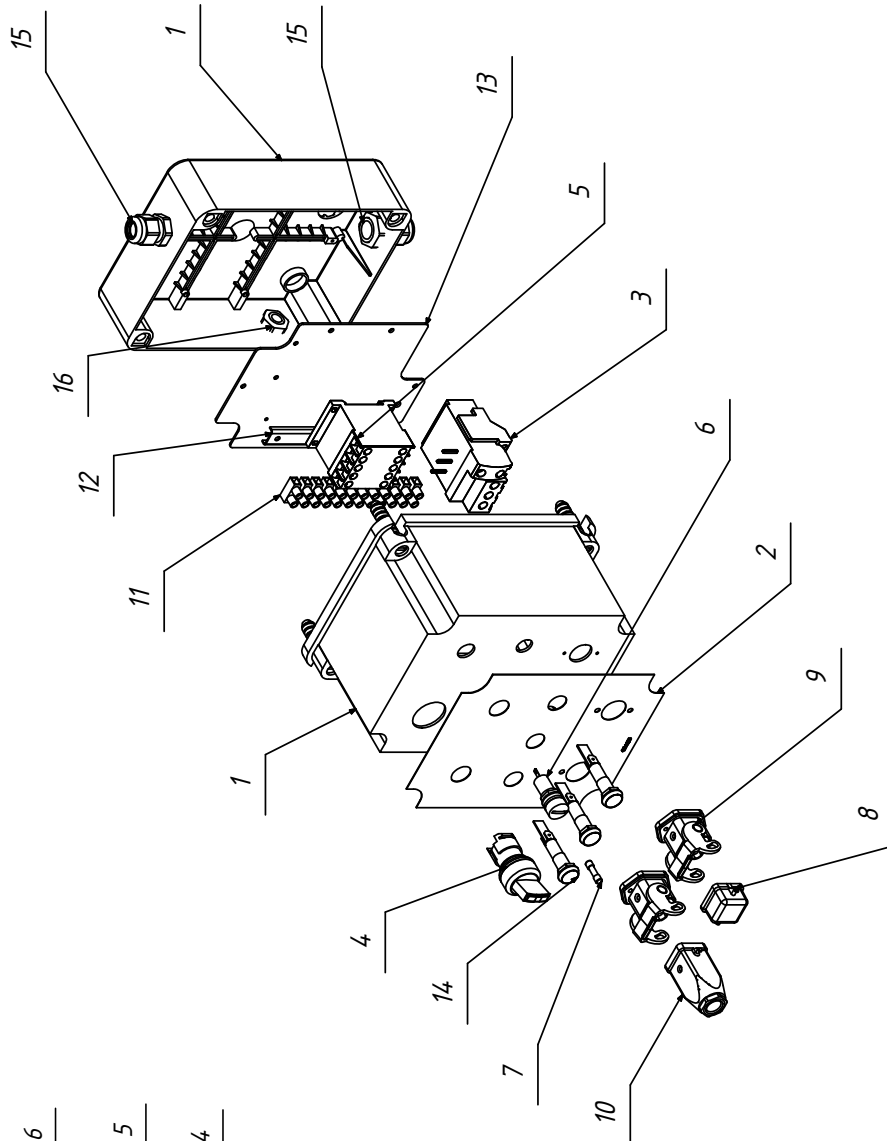
UNIT 1

ILLUSTRATED PARTS BREAKDOWN

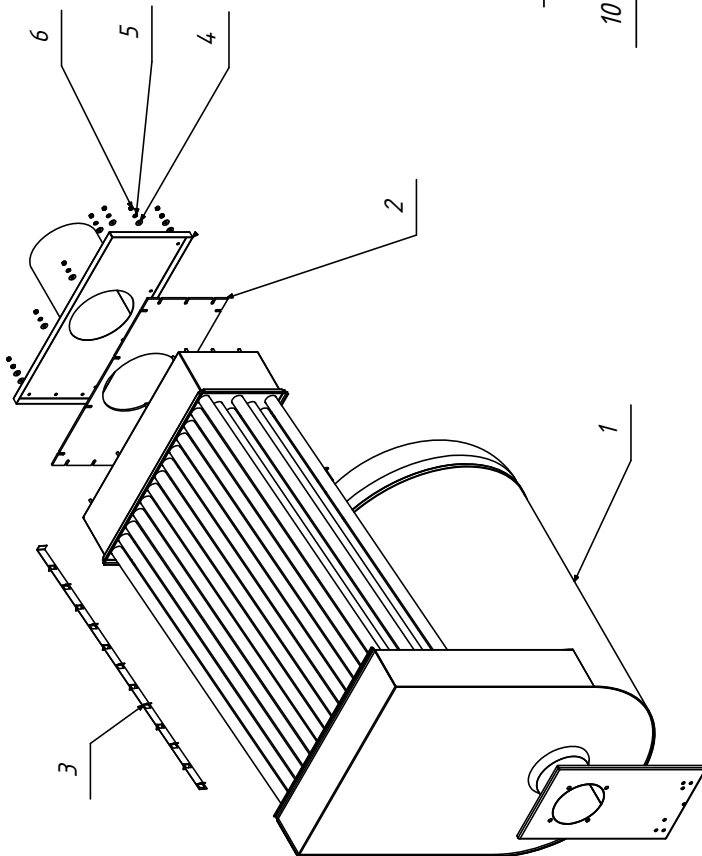
Edizione 2012
Rev. A



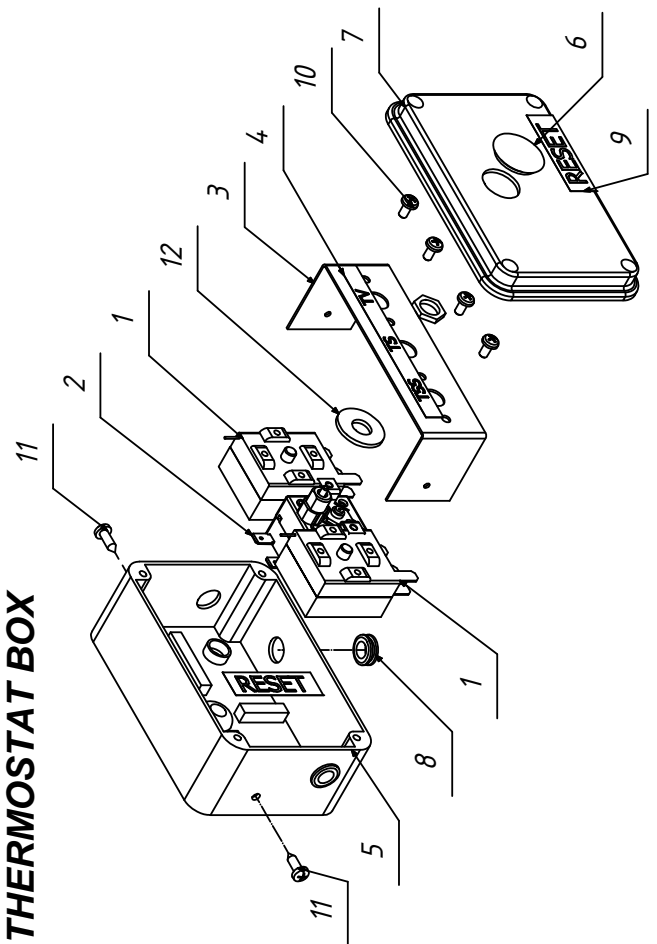
ELECTRIC BOX



COMBUSTION CHAMBER



THERMOSTAT BOX



Pos.	Code NR	Description
1	4514.304	Oil Burner RG4F (Nozzle 4.5Gph 60oW)
2	4514.205	Combustion Chamber 690 Complete
3*	4514.413	Electric Box Bv 690 FS
3*	4514.423	Electric Box Bv 690 FT
4*	4514.430	Thermostats Box
5.1	4514.176	Chamfered Profile For Panel 25 L=690
5.2	4514.177	Chamfered Profile For Panel 25 L=1381
5.3	4514.178	Chamfered Profile For Panel 25 L=1200
5.4	4514.147	3-Way Corner Forchmfered Profile
5.5	4514.175	Supporting Beam Bv690
5.6	4514.245	Threaded Block
6	4514.179	Left Burner Protection
7	4514.180	Right Burner Protection
8	4514.238	4-Way Outlet
8	4514.093	1-Way Outlet (Optiononally)
9	4514.345	Fan Fi650/27o 6-Blade
10	4514.798	Fan Panel D650
11	4031.120	Oil Filter-Pre Heater 3/8" 100W 230V
12	4032.535	Cable Hanger
13	4514.161	Support For Oil Filter With Preheater
14	4514.162	External Panel
15	4514.163	Upper Internal Panel
16	4514.164	Lateral External Panel
17	4514.165	Lateral Internal Panel
18	4514.166	Chimney Panel
19	4514.167	Flange Cover Chimney 200mm
20	4514.168	Universal Plate
21	4514.169	Burner External Panel
22	4514.172	Air Direction Sheet
23	4514.173	Rotating Wheel Support
24	4514.182	Burner Cover
25	4514.183	Axle
27	4514.212	Handle
28	4514.281	External Down Panel I
29	4514.282	Front Base
30	4514.615	Burner Thermic Insolator
31	4514.616	Plate Seal
32	4514.617	Metal Rubber Wheel Black Ø385
33	4514.711	Capillary Bracket
34	4514.792	Base For Motor D650 (H100mm)
35	4514.793	Heat Shield Of Inlet D650
36	4514.797	Protective Grid D650
38	4517.152	Cover Of Capillarys
39	4518.106	Heat Shield For Chimney
40	4518.107	Flange Cover Chimney (Ø200)
41	4518.108	Burner Stabilizer
42	4518.199	Support For Wheel Axle Fi25X28
43	4514.803	Fixing Washer For Shaft With Cup Ø25
44	4517.807	Clamp 8mm
45	4517.811	Clamp 6mm
46	4510.855	Band Clip 06-11 5
47	4510.872	Fitting The Capillary Tube
48	4514.346	Electric Motor 2,2Kw 230V For BV 690 FS

Pos.	Code NR	Description
48	4514.347	3-Phase Motor 2,2Kw 400V For BV 690 FT
49	4514.607	Rubber Bushing
50	4517.406	Cable Gland Pg-11 Black
51	4031.581	Connection 3/8"
52	4514.801	Eye Bolt M8
53	4514.833	Assembly Clamp Ø26Mm, M8
3* ELECTRIC BOX		
1	4514.609	Casing 190x140x140
2	4514.565	Control box label
3	4514.421	Thermal relay 13-18A For BV 690 FS
3	4514.418	Thermal relay 4-6A For BV 690 FT
4	4514.402	Switch 3P
5	4514.420	Contactora 3P 230V~ 7,5Kw 1NC For BV 690 FS
5	4514.416	Contactora 3P 230V~ 4Kw 1NO For BV 690 FT
6	4514.400	Fuse holder 5x20 6,3A
7	4514.409	Fuse 5x20 3,15A 250V
8	4162.467	Cap for thermostat socket
9	4514.611	Socket case
10	4514.610	Plug case
11	4514.404	Terminal block 12T 6^2
12	4514.795	Distance terminal bock
13	4514.141	Electric component plate
14	4514.415	Light indicator 230V
15	4514.606	Cable gland DP11H
16	4514.621	Cable glad DP7H
COMBUSTION CHAMBER		
1	4514.186	Combustion Chamber Of BV690
2	4514.619	Flue Chamber Seal
3	4514.193	Turbuliser
4	4514.806	Enlarged Round Washer A6,4
5	4510.831	Spring Lock Washers
6	4510.830	Nut M6
4* THERMOSTAT BOX		
1	4514.422	Thermostat 27,5-87,5°C
2	4514.433	Over-Heat Termostat 16A/250V 90°C-110°C
3	4514.799	Thermostats Support
4	4514.557	Label Thermostats Description
5	4514.623	Casing 120X80X50 (Bottom)
6	4514.624	Button Ø19
7	4514.623	Casing 120X80X50 (Top)
8	4514.621	Bushing
9	4514.552	Label Reset
10	4510.814	Screw M4X8
11	4510.816	Pan Head Screw St3,9X13
12	4514.841	Distance Washer